

选型详见第八页



H50

卫生型圆筒式连接

产品应用

食品和饮料行业
生物化学和制药工厂，活性
剂生产
化学工业中的无菌原料生产

功能特性

完全密封的圆筒型膜片，
无测量死区
快速清洗测量点，无残留
适合SIP和CIP

产品描述

隔膜密封可保护测量仪表不受侵蚀性、粘性、结晶、腐蚀性、高粘稠、对环境有害的或有毒的介质损坏。由适当材料制成的膜片可将测量仪表和被测介质隔离开。因此，只要配备适当的隔膜密封，测量仪表就能用于最高难度的测量。

系统内部的填充液体（可根据特定应用选择最合适的液体）通过液压方式将压力传导至测量仪表。我们可提供不同设计和材质的隔膜密封，以满足所有应用要求。

用户在选择隔膜密封时，需要注意两个重要标准：其一是过程连接件的类型（法兰、螺纹和无菌连接件）；其二是基本制造方法。

H50型采用卫生型设计，经过EHEDG认证，可通过接头以最佳方式集成到管道中，满足卫生型应用的高标准要求。隔膜密封系统可承受SIP过程中清洁蒸汽的高温，实现被测介质和隔膜密封之间的无菌连接。

隔膜密封与测量仪表可以直接装配(标配)，也可通过冷却元件或柔性毛细管装配(选配)。在选材方面，提供了多种解决方案，密封隔膜的上腔体和膜片由同种制成。

这些密封隔膜的标准材料是316L (1.4435) 不锈钢，当然我们也可以根据客户要求提供其他特殊材料制造的隔膜产品。

H50型隔膜密封的测量系统已成功用于生命科学、制药和生物技术等领域。

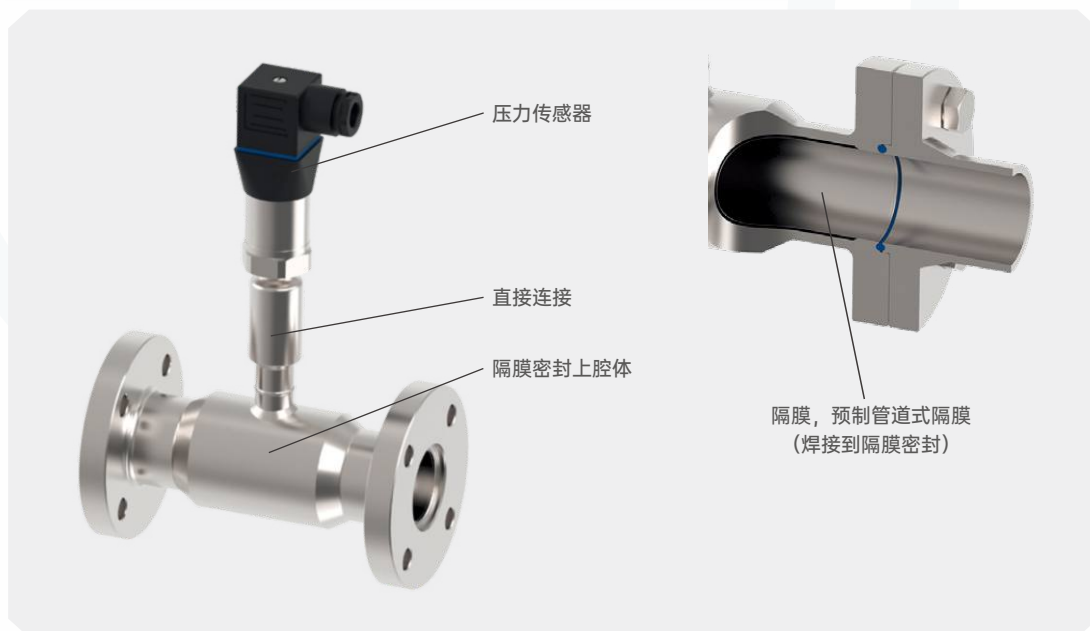


技术参数

基本信息	
版本	预制管道式隔膜密封
压力范围 ¹⁾	0 ...0.06 MPa至0 ...4 MPa [0 ...8.7 psi to 0 ...580 psi] 或所有其他等效真空或组合压力和真空范围
连接到测量仪表	用于焊缝的轴向压力表转接头
	带内螺纹的轴向压力表转接头 (例如G ½、G ¼、½ NPT或¼ NPT)
安装类型	直接安装
	毛细管
	冷却元件
接液部件清洁度	无油无油脂, 符合ASTM G93-03 F级标准 (< 1,000 mg/m ²)
	无油无油脂, 符合ASTM G93-03 D级标准和ISO 15001 (< 220 mg/m ²)
	无油无油脂, 符合ASTM G93-03 C级和ISO 15001标准 (< 66 mg/m ²)
接液部件的来源	国际
	欧盟、瑞士、美国
接液部件的表面粗糙度	Ra ≤ 0.76 μm [30 μin], 符合ASME BPE SF3 (焊缝除外)
	Ra ≤ 0.38 μm [15 μin], 符合ASME BPE SF4, 仅适用于电抛光表面 (焊缝除外)
真空服务	基础服务
	高级服务
	高端服务

安装示例

已安装 H50 卫生型圆筒式的压力传感器



过程连接

标准	
NEUMO BioConnect®, V型法兰	符合DIN 11866第A行或DIN 11850第2行的管道标准
	符合DIN 11866第B行或DIN ISO 1127第1行的管道标准
NEUMO BioConnect®, R型法兰	符合DIN 11866第A行或DIN 11850第2行的管道标准
	符合DIN 11866第B行或DIN ISO 1127第1行的管道标准
NEUMO BioConnect®, 带螺纹接头的螺纹连接	符合DIN 11866第A行或DIN 11850第2行的管道标准
	符合DIN 11866第B行或DIN ISO 1127第1行的管道标准
NEUMO BioConnect®, 带套管和管接螺母的螺纹连接	符合DIN 11866第A行或DIN 11850第2行的管道标准
	符合DIN 11866第B行或DIN ISO 1127第1行的管道标准

材料

材料 (接液部件) ¹⁾	
隔膜	不锈钢1.4435 (316L)
	不锈钢1.4435 (316L), 电抛光 ²⁾
	隔膜和隔膜密封盖的材料必须相同
材料 (与环境接触)	
隔膜密封盖	不锈钢1.4435 (316L)
	不锈钢1.4435 (316L), 电抛光 ²⁾

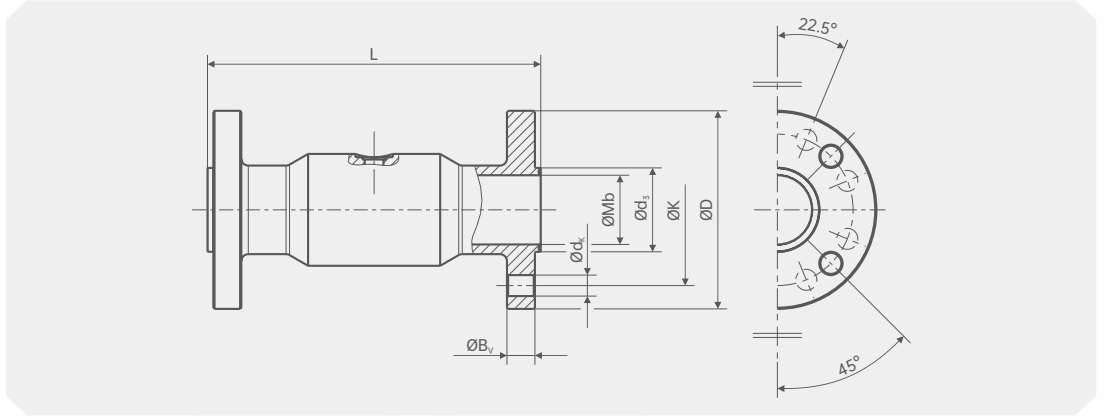
1) 用材料代码标记零件以保证100%材料可追溯性

2) 仅适用于表面粗糙度为Ra ≤ 0.38 μm [15 μin]的接液部件



尺寸 mm [in]

过程连接
NEUMO BioConnect®
V型法兰



符合DIN 11866第A行或DIN 11850第2行的管道标准

DN	PN	尺寸 mm [in]							重量 (kg [lb])
		Mb	D	L	B _v	K	d _k	d _k	
10	16	14 [0.551]	65 [2.559]	128 [5.039]	8 [0.315]	45 [1.772]	4xØ9 [0.354]	19.2 [0.756]	1.1 [2.43]
15	16	16 [0.63]	75 [2.953]	128 [5.039]	8 [0.315]	55 [2.165]	4xØ9 [0.354]	21.2 [0.835]	1.3 [2.87]
20	16	20 [0.787]	80 [3.15]	138 [5.433]	10 [0.394]	60 [2.362]	4xØ9 [0.354]	25.2 [0.992]	1.4 [3.09]
25	16	26 [1.024]	85 [3.346]	138 [5.433]	10 [0.394]	65 [2.559]	4xØ9 [0.354]	32.2 [1.268]	1.5 [3.31]
32	16	32 [1.26]	95 [3.74]	138 [5.433]	10 [0.394]	75 [2.953]	4xØ9 [0.354]	38.2 [1.504]	1.8 [3.97]
40	16	38 [1.496]	100 [3.937]	160 [6.299]	10 [0.394]	80 [3.15]	4xØ9 [0.354]	44.2 [1.74]	2.6 [5.73]
50	16	50 [1.969]	110 [4.331]	160 [6.299]	12 [0.472]	90 [3.543]	4xØ9 [0.354]	56.2 [2.213]	3.2 [7.05]
65	16	66 [2.598]	140 [5.512]	160 [6.299]	14 [0.551]	115 [4.528]	4xØ11 [0.433]	72.2 [2.843]	4.7 [10.36]
80	16	81 [3.19]	150 [5.906]	160 [6.299]	14 [0.551]	125 [4.921]	8xØ11 [0.433]	87.2 [3.433]	5.9 [13.01]
100	16	100 [3.937]	175 [6.89]	160 [6.299]	16 [0.63]	150 [5.906]	8xØ11 [0.433]	106.2 [4.181]	7.8 [17.2]

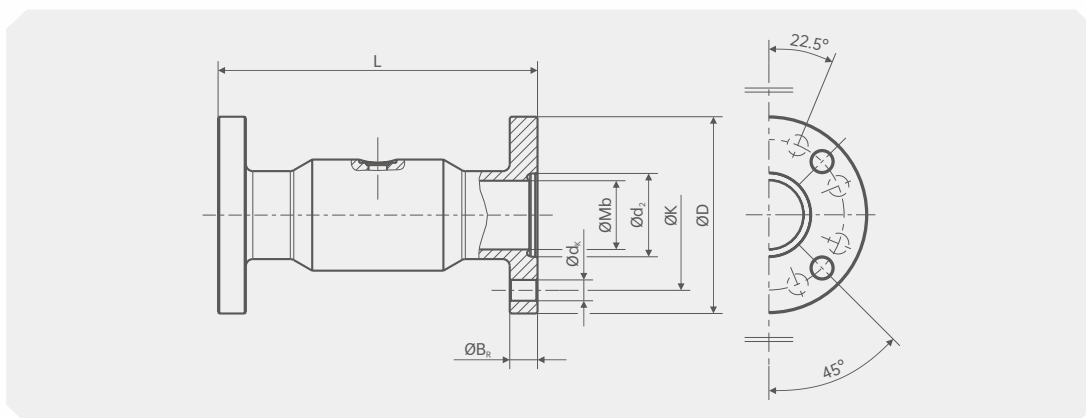
符合DIN 11866第B行或DIN ISO 1127第1行的管道标准

DN	PN	尺寸 mm [in]							重量 (kg [lb])
		Mb	D	L	B _v	K	d _k	d _k	
17.2	16	14 [0.551]	65 [2.559]	128 [5.039]	8 [0.315]	45 [1.772]	4xØ9 [0.354]	19.2 [0.756]	1.1 [2.43]
21.3	16	18 [0.709]	75 [2.953]	128 [5.039]	8 [0.315]	55 [2.165]	4xØ9 [0.354]	23.3 [0.917]	1.3 [2.87]
26.9	16	23.6 [0.929]	80 [3.15]	138 [5.433]	10 [0.394]	60 [2.362]	4xØ9 [0.354]	28.9 [1.138]	1.4 [3.09]
33.7	16	29.6 [1.165]	85 [3.346]	138 [5.433]	10 [0.394]	65 [2.559]	4xØ9 [0.354]	35.9 [1.413]	1.5 [3.31]
42.4	16	38.3 [1.508]	95 [3.74]	138 [5.433]	10 [0.394]	75 [2.953]	4xØ9 [0.354]	44.6 [1.756]	1.7 [3.75]
48.3	16	44.3 [1.744]	100 [3.937]	160 [6.299]	10 [0.394]	80 [3.15]	4xØ9 [0.354]	50.5 [1.988]	2.1 [4.63]
60.3	16	56.1 [2.209]	110 [4.331]	160 [6.299]	12 [0.472]	90 [3.543]	4xØ9 [0.354]	62.5 [2.461]	3.0 [6.61]
76.1	16	71.3 [2.807]	140 [5.512]	160 [6.299]	14 [0.551]	115 [4.528]	4xØ11 [0.433]	77.7 [3.059]	4.7 [10.36]
88.9	16	84.1 [3.311]	150 [5.906]	160 [6.299]	14 [0.551]	125 [4.921]	8xØ11 [0.433]	90.5 [3.563]	5.3 [11.68]
114.3	16	109.1 [4.295]	175 [6.89]	160 [6.299]	16 [0.63]	150 [5.906]	8xØ11 [0.433]	115.3 [4.539]	7.0 [15.43]



尺寸 mm [in]

过程连接
NEUMO BioConnect®
R型法兰



符合DIN 11866第A行或DIN 11850第2行的管道标准

DN	PN	尺寸 mm [in]							重量 (kg [lb])
		Mb	D	L	B _r	K	d _k	d _k	
10	16	14 [0.551]	65 [2.559]	128 [5.039]	10 [0.394]	45 [1.772]	4xØ9 [0.354]	19.3 [0.76]	1.1 [2.43]
15	16	16 [0.63]	75 [2.953]	128 [5.039]	10 [0.394]	55 [2.165]	4xØ9 [0.354]	21.3 [0.839]	1.3 [2.87]
20	16	20 [0.787]	80 [3.15]	138 [5.433]	12 [0.472]	60 [2.362]	4xØ9 [0.354]	25.3 [0.996]	1.4 [3.09]
25	16	26 [1.024]	85 [3.346]	138 [5.433]	12 [0.472]	65 [2.559]	4xØ9 [0.354]	32.3 [1.272]	1.5 [3.31]
32	16	32 [1.26]	95 [3.74]	138 [5.433]	12 [0.472]	75 [2.953]	4xØ9 [0.354]	38.3 [1.508]	1.8 [3.97]
40	16	38 [1.496]	100 [3.937]	166 [6.535]	12 [0.472]	80 [3.15]	4xØ9 [0.354]	44.3 [1.744]	2.6 [5.73]
50	16	50 [1.969]	110 [4.331]	166 [6.535]	14 [0.551]	90 [3.543]	4xØ9 [0.354]	56.3 [2.217]	3.2 [7.05]
65	16	66 [2.598]	140 [5.512]	166 [6.535]	16 [0.63]	115 [4.528]	4xØ11 [0.433]	72.3 [2.846]	4.7 [10.36]
80	16	81 [3.19]	150 [5.906]	166 [6.535]	16 [0.63]	125 [4.921]	8xØ11 [0.433]	87.3 [3.437]	5.9 [13.01]
100	16	100 [3.937]	175 [6.89]	166 [6.535]	16 [0.63]	150 [5.906]	8xØ11 [0.433]	106.3 [4.185]	7.8 [17.2]

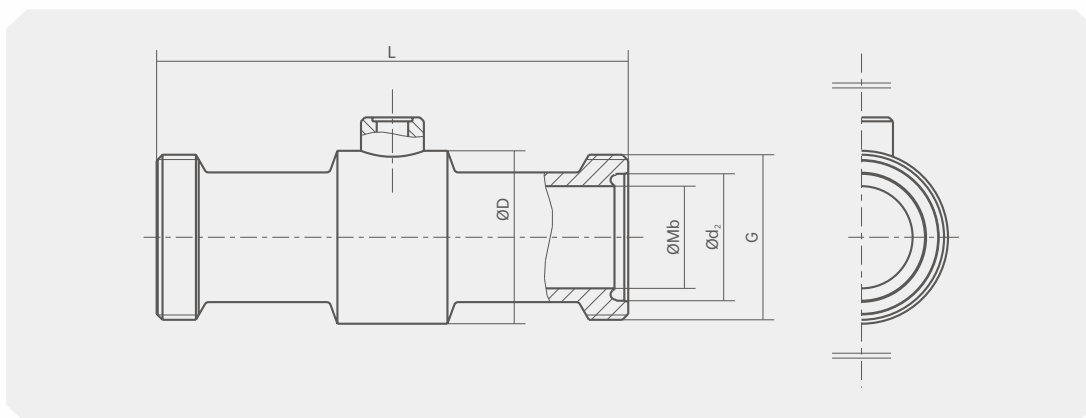
符合DIN 11866第B行或DIN ISO 1127第1行的管道标准

DN	PN	尺寸 mm [in]							重量 (kg [lb])
		Mb	D	L	B _r	K	d _k	d _k	
17.2	16	14 [0.551]	65 [2.559]	128 [5.039]	10 [0.394]	45 [1.772]	4xØ9 [0.354]	19.3 [0.76]	1.1 [2.43]
21.3	16	18 [0.709]	75 [2.953]	138 [5.433]	10 [0.394]	55 [2.165]	4xØ9 [0.354]	23.4 [0.921]	1.3 [2.87]
26.9	16	23.6 [0.929]	80 [3.15]	138 [5.433]	12 [0.472]	60 [2.362]	4xØ9 [0.354]	29 [1.142]	1.4 [3.09]
33.7	16	29.6 [1.165]	85 [3.346]	138 [5.433]	12 [0.472]	65 [2.559]	4xØ9 [0.354]	36 [1.417]	1.5 [3.31]
42.4	16	38.3 [1.508]	95 [3.74]	138 [5.433]	12 [0.472]	75 [2.953]	4xØ9 [0.354]	44.7 [1.76]	1.7 [3.75]
48.3	16	44.3 [1.744]	100 [3.937]	160 [6.299]	12 [0.472]	80 [3.15]	4xØ9 [0.354]	50.6 [1.992]	2.1 [4.63]
60.3	16	56.1 [2.209]	110 [4.331]	160 [6.299]	14 [0.551]	90 [3.543]	4xØ9 [0.354]	62.6 [2.465]	3.0 [6.61]
76.1	16	71.3 [2.807]	140 [5.512]	160 [6.299]	16 [0.63]	115 [4.528]	4xØ11 [0.433]	77.8 [3.063]	4.7 [10.36]
88.9	16	84.1 [3.311]	150 [5.906]	160 [6.299]	16 [0.63]	125 [4.921]	8xØ11 [0.433]	90.6 [3.567]	5.3 [11.68]
114.3	16	109.1 [4.295]	175 [6.89]	160 [6.299]	18 [0.709]	150 [5.906]	8xØ11 [0.433]	115.4 [4.543]	7.0 [15.43]



尺寸 mm [in]

过程连接
NEUMO BioConnect®
带螺纹接头的螺纹连接



符合DIN 11866第A行或DIN 11850第2行的管道标准

DN	PN	尺寸 mm [in]					重量 (kg [lb])
		Mb	D	L	G	d ₂	
15	16	16 [0.63]	34 [1.339]	128 [5.039]	M30 x 1.5	-	0.4 [0.88]
20	16	20 [0.787]	38 [1.496]	138 [5.433]	M36 x 2	25.3 [0.996]	0.5 [1.1]
25	16	26 [1.024]	44 [1.732]	138 [5.433]	M42 x 2	32.3 [1.272]	0.6 [1.32]
32	16	32 [1.26]	52 [2.047]	138 [5.433]	M52 x 2	-	1.1 [2.43]
40	16	38 [1.496]	56 [2.205]	166 [6.535]	M56 x 2	44.3 [1.744]	1.3 [2.87]
50	16	50 [1.969]	68 [2.677]	166 [6.535]	M68 x 2	56.3 [2.217]	1.6 [3.53]
65	16	66 [2.598]	90 [3.543]	166 [6.535]	M90 x 3	-	2.5 [5.51]
80	16	81 [3.19]	100 [3.937]	166 [6.535]	M100 x 3	-	2.7 [5.95]
100	16	100 [3.937]	130 [5.118]	166 [6.535]	M130 x 4	-	6.0 [13.23]

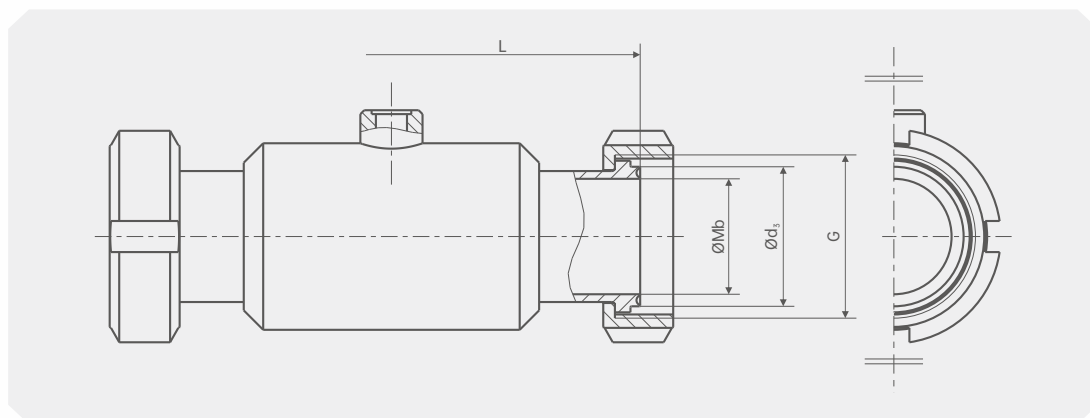
符合DIN 11866第B行或DIN ISO 1127第1行的管道标准

DN	PN	尺寸 mm [in]					重量 (kg [lb])
		Mb	D	L	G	d ₂	
21.3	16	18 [0.709]	38 [1.496]	128 [5.039]	M30 x 1.5	-	0.3 [0.66]
26.9	16	23.6 [0.929]	42 [1.654]	138 [5.433]	M36 x 2	29 [1.142]	0.4 [0.88]
33.7	16	29.6 [1.165]	44 [1.732]	138 [5.433]	M42 x 2	36 [1.417]	0.5 [1.1]
42.4	16	38.3 [1.508]	58 [2.283]	138 [5.433]	M52 x 2	-	0.7 [1.54]
48.3	16	44.3 [1.744]	62 [2.441]	166 [6.535]	M56 x 2	50.6 [1.992]	0.8 [1.76]
60.3	16	56.1 [2.209]	74 [2.913]	166 [6.535]	M68 x 2	62.6 [2.465]	0.9 [1.98]
76.1	16	71.3 [2.807]	90 [3.543]	166 [6.535]	M90 x 3	-	2.0 [4.41]
88.9	16	84.1 [3.311]	100 [3.937]	166 [6.535]	M100 x 3	-	2.2 [4.85]
114.3	16	109.1 [4.295]	130 [5.118]	166 [6.535]	M130 x 4	-	4.0 [8.82]



尺寸 mm [in]

过程连接
NEUMO BioConnect®
带套管和管接螺母的
螺纹连接



符合DIN 11866第A行或DIN 11850第2行的管道标准

DN	PN	尺寸 mm [in]				重量 (kg [lb])
		Mb	L	G	d _s	
15	16	16 [0.63]	128 [5.039]	M30 x 1.5	-	0.7 [1.54]
20	16	20 [0.787]	138 [5.433]	M36 x 2	25.2 [0.992]	0.8 [1.76]
25	16	26 [1.024]	138 [5.433]	M42 x 2	32.2 [1.268]	0.9 [1.98]
32	16	32 [1.26]	138 [5.433]	M52 x 2	-	1.4 [3.09]
40	16	38 [1.496]	160 [6.299]	M56 x 2	44.2 [1.740]	1.6 [3.53]
50	16	50 [1.969]	160 [6.299]	M68 x 2	56.2 [2.213]	1.9 [4.19]
65	16	66 [2.598]	160 [6.299]	M90 x 3	-	2.8 [6.17]
80	16	81 [3.19]	160 [6.299]	M100 x 3	-	3 [6.61]
100	16	100 [3.937]	160 [6.299]	M130 x 4	-	6.3 [13.89]

符合DIN 11866第B行或DIN ISO 1127第1行的管道标准

DN	PN	尺寸 mm [in]				重量 (kg [lb])
		Mb	L	G	d _s	
21.3	16	18 [0.709]	138 [5.433]	M30 x 1.5	-	0.6 [1.32]
26.9	16	23.6 [0.929]	138 [5.433]	M36 x 2	28.9 [1.138]	0.7 [1.54]
33.7	16	29.6 [1.165]	138 [5.433]	M42 x 2	35.9 [1.413]	0.8 [1.76]
42.4	16	38.3 [1.508]	138 [5.433]	M52 x 2	-	1 [2.2]
48.3	16	44.3 [1.744]	160 [6.299]	M56 x 2	50.5 [1.988]	1.1 [2.43]
60.3	16	56.1 [2.209]	160 [6.299]	M68 x 2	62.5 [2.461]	1.2 [2.65]
76.1	16	71.3 [2.807]	160 [6.299]	M90 x 3	-	2.3 [5.07]
88.9	16	84.1 [3.311]	160 [6.299]	M100 x 3	-	2.5 [5.51]
114.3	16	109.1 [4.295]	160 [6.299]	M130 x 4	-	4.3 [9.48]



H50-选型构成

选型举例 **H50** H P Y

1 2 3

1.仪表连接规格	A	1 NPT	
	B	1/2NPT	
	C	1/4NPT	
	D	M14*1.5	
	E	M20*1.5	
	F	M27*2	
	G	G 1	
	H	G1/2	
	I	G1/4	
	T()	其它连接规格	
2.现场连接规格	N	DN15	
	O	DN20	
	P	DN25	
	Q	DN32	
	R	DN40	
	S	DN50	
	J	DN65	
	U	DN80	
	V	DN100	
	T()	其它连接规格	
	3.材质	X	碳钢
Y		304SS	
Z		316L	
T()		其它材质	

说明:

表示H50型隔膜密封与仪表连接规格为G1/2，与现场连接规格为DN25，材质为304不锈钢。

产品认证

符合性和批准: 罗德玮格隔膜密封符合过程测量技术的关键标准和认证;
从而保证此类设置中的最高可靠性;



罗德玮格中国代表处
罗德玮格自动化仪表(广州)有限公司 | 罗德玮格国际贸易(上海)有限公司

罗德玮格 更多产品信息请访问 www.ludwig-schneider.com.cn
© 400-860-9760 © lw@ludwig-schneider.com.cn